

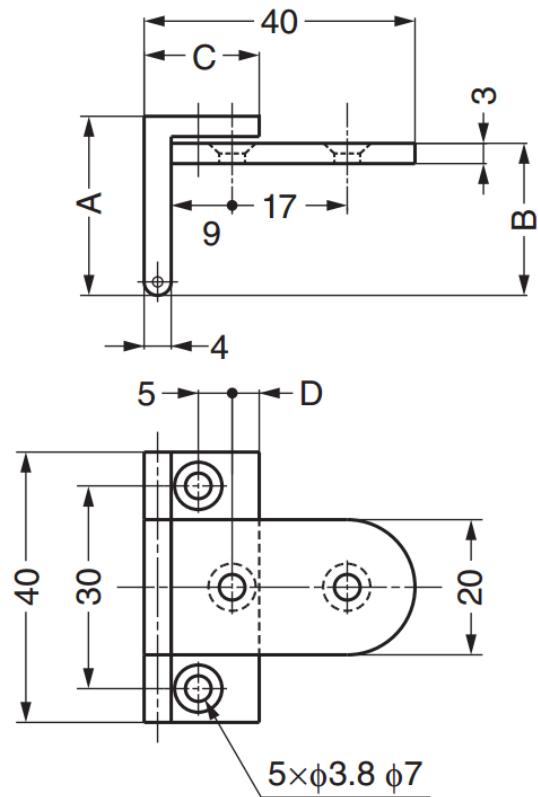
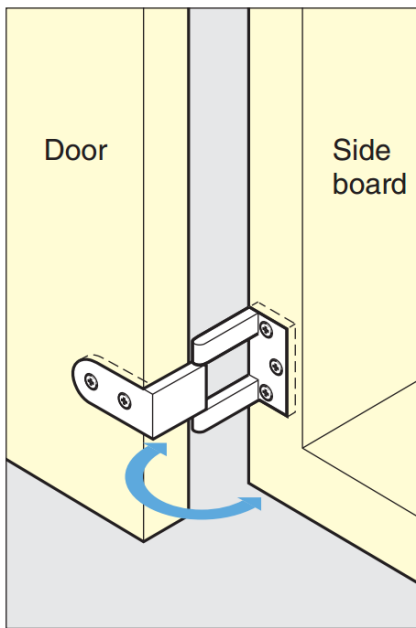
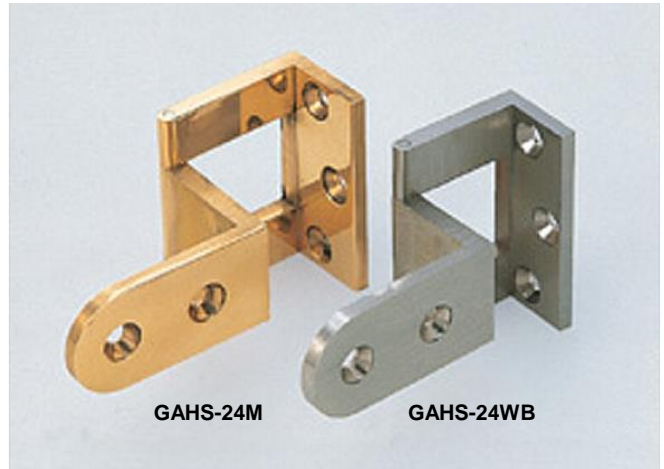
## GAHS Brass Overlay Door Angle Hinge

### Material

- Brass, satin nickel or polished finish

### Notes

- Recommended to be used in pairs



Part No.	Finish	A	B	C	D	Door Width	Door Height	Door Thickness	Door Weight
GAHS-20M	Polished	26.5	22.5	17	4	Max. 450	Max. 700	20	Max. 2.6 kg / pair
GAHS-20WB	Satin Nickel								
GAHS-24M	Polished	30.5	27	20	5.5			24	
GAHS-24WB	Satin Nickel								